



STAINLESS STEEL
PRINTER SHELF
 Model # PRT-1



FACTORY INSTALLED ONLY

Item #: _____ Qty #: _____
 Model #: _____
 Project #: _____

FEATURES:

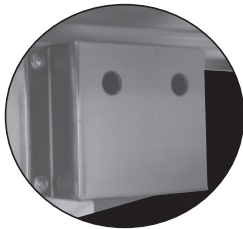
- 8"x16" Printer Deck. 10" height
- 1 Data Port Receptacle
- 1 Electrical Receptacle
- Rear Gem Box with Removable Enclosure
- Turned up front edge to hold Printer in place

CONSTRUCTION:

All TIG welded.
 Exposed surfaces polished to a satin finish.

MATERIAL:

18 gauge type "430" stainless steel.



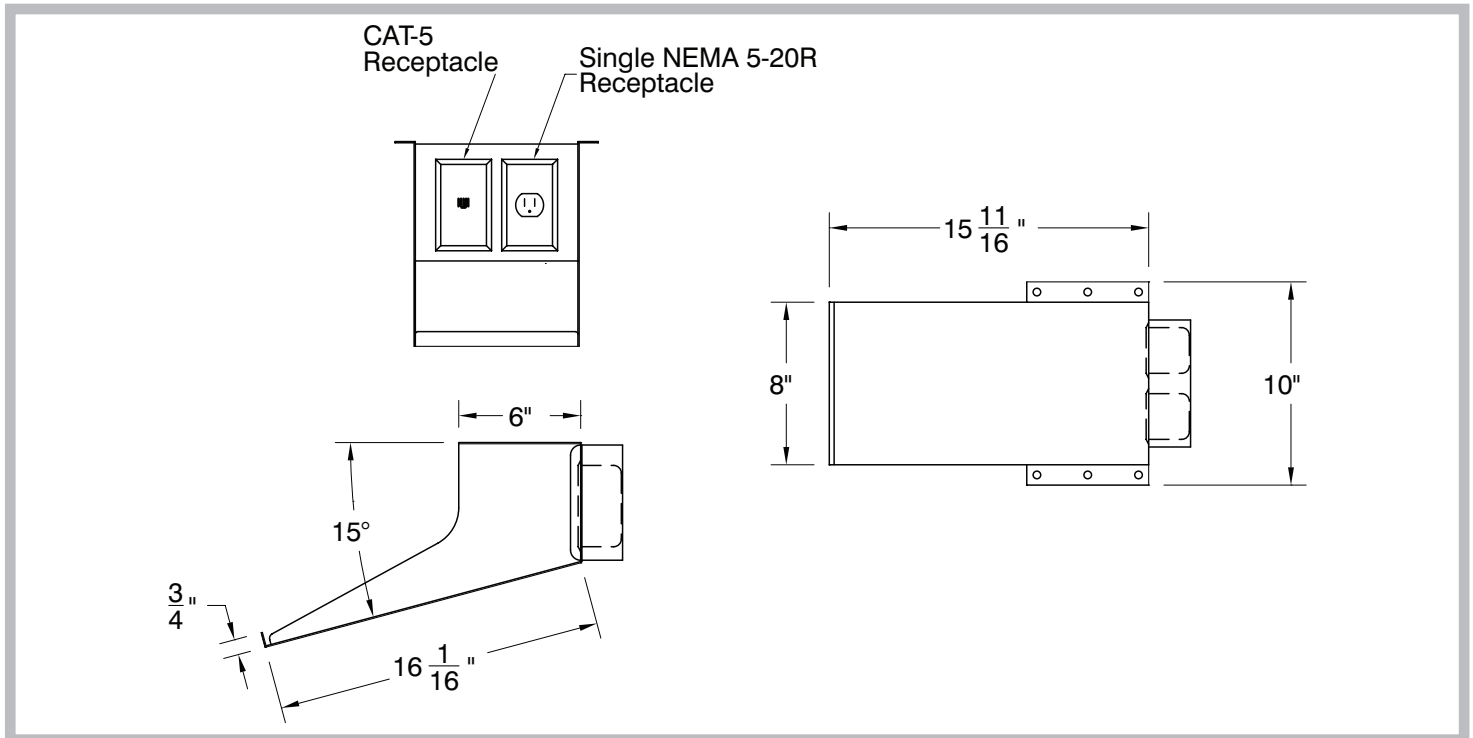
Back of shelf shown

7/8" Diameter holes provided for electrical connections

DETAILS and SPECIFICATIONS

TOL ± .500"

ALL DIMENSIONS ARE TYPICAL



Customer Service Available To Assist You 1-800-645-3166 8:30 am - 7:00 pm E.S.T.

For Orders & Customer Service:
 Email: customer@advancetabco.com or Fax: 631-242-6900

For Smart Fabrication™ Quotes:
 Email: smartfab@advancetabco.com or Fax: 631-586-2933